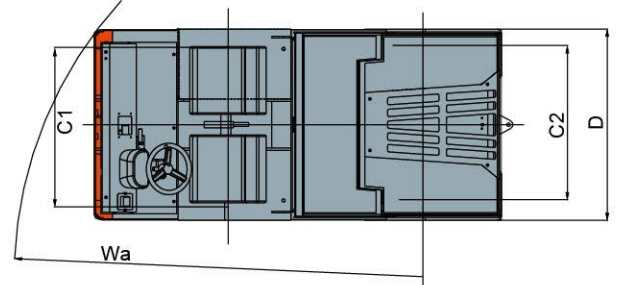
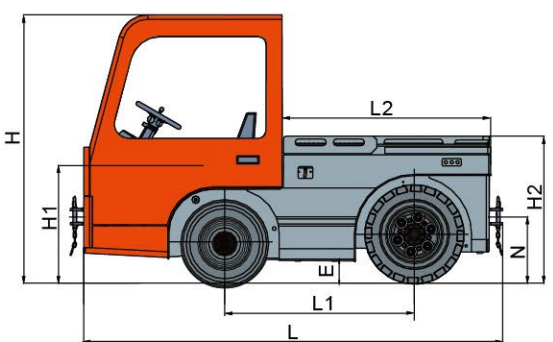
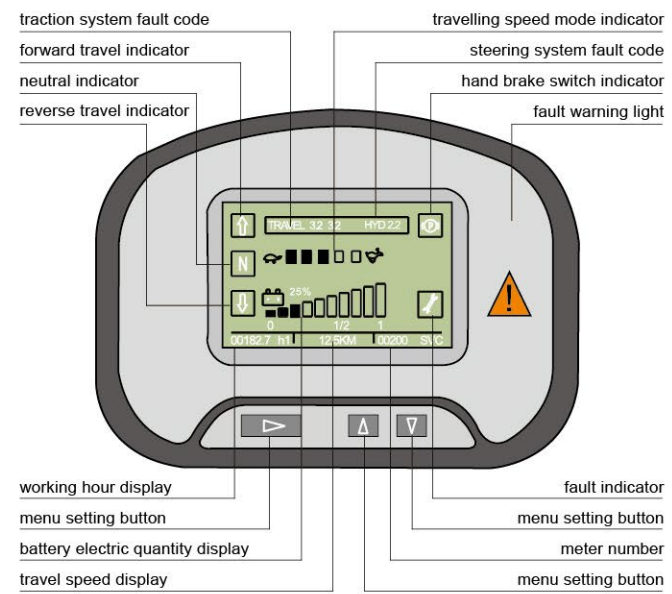




8-15t G SERIES AC TYPE ELECTRIC TRACTOR



>> CURTIS ENGAGE IV Interactive multifunctional liquid crystal meter



>> Automatic water adding device



>> Energy regeneration technology

• With AC type energy regeneration technology, the working hour of single battery shift is 15% increased. **↑15%** Working hour of single battery shift 15% increased

• Truck working condition can be known directly and easily through reliable meter displaying important information such as truck working condition, fault and so on.

Technical parameter						
Characteristic						
1	Manufacturer	HELI				
2	Model	QYD80-J1	QYD100-J1	QYD120-J1	QYD150-J1	
3	Operation type	Seated				
4	Driving brake	Hydraulic pressure/Electric				
5	Load capacity	Kg	8000	10000	12000	15000
6	Rated towing capacity	N	2800	3200	3500	4000
Dimension						
7	Wheelbase L1	mm	1280	1280	1280	1465
8	Treed front C1	mm	1110	1110	1110	1110
9	Treed rear C2	mm	1070	1070	1070	1070
10	height(cab) H	mm	1820	1820	1820	1820
11	Seat height H1	mm	800	800	800	800
12	Center height of coupler N	mm	350/450	350/450	350/450	350/450
13	Flat dimension H2	mm	1000	1000	1000	1000
14	Lord flat roof length L2	mm	1500	1500	1500	1685
15	Overall length L	mm	2950	2950	2950	3120
16	Overall width D	mm	1300	1300	1300	1300
17	Min. ground clearance E	mm	130	130	130	130
18	Min. turning radius Wa	mm	2800	2800	2800	2850
Capability						
19	Speed (full/without load)	Km/h	12/18	11/16	10/14	10/16
20	Grade ability(full/without load)	%	10/20	8/20	6/20	5/20
Cartwheel and tyre						
21	Front tire		6.5-10-10PR	6.5-10-10PR	6.5-10-10PR	6.5-10-10PR
22	Rear tire		7.00-12-12PR	7.00-12-12PR	7.00-12-12PR	7.00-12-12PR
Service weight						
23	Service weight	Kg	2600	2690	2800	3400
Driving and transmission controller						
24	Driving motor(60min)	kw	12.0(AC)	12.0(AC)	12.0(AC)	16.6(AC)
25	Battery capacity (5h)	V/Ah	48/480	48/520	48/600	80/500



ANHUI HELI CO., LTD.
Address: No.163 Woyun Road, Economic Develop Zone, Hefei City, Anhui, China
Sales hotline: (0086) 551-63689667
(0086) 551-63689674
(0086) 551-63689676

Free hotline: 4001600761
FAX: (0086) 551-63689558-247
(0086) 551-63689674
E-mail: helizzj@helichina.com
Web site: www.helichina.com

© 2014 heli copyright
Catalog No.2014.02 HELI Print

CHINESE EXPORT BRAND
Recommended
By China Chamber of Commerce for Import and Export of Machinery
And Electric Products

HELI
LIFTING THE FUTURE



» Brief introduction

G series 8-15t AC type electric tractor which has popular appearance and reliable performance is a new generation of environment friendly tractor designed by HELI. With ergonomic design principle, driving comforts in sitting, operation space and environmental protection are ensured. The four-wheel truck is powered by battery. The steering wheel is front wheel and the drive wheel is rear wheel. With fully hydraulic-powered brake technology, the brake is easy and reliable. Imported CURTIS controller with stepless speed regulation is assembled on the truck. The truck has low noise, powerful traction force, easy operation and flexible steering.

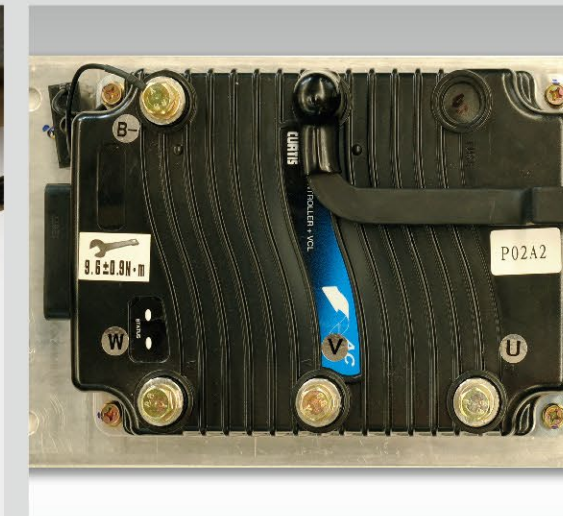
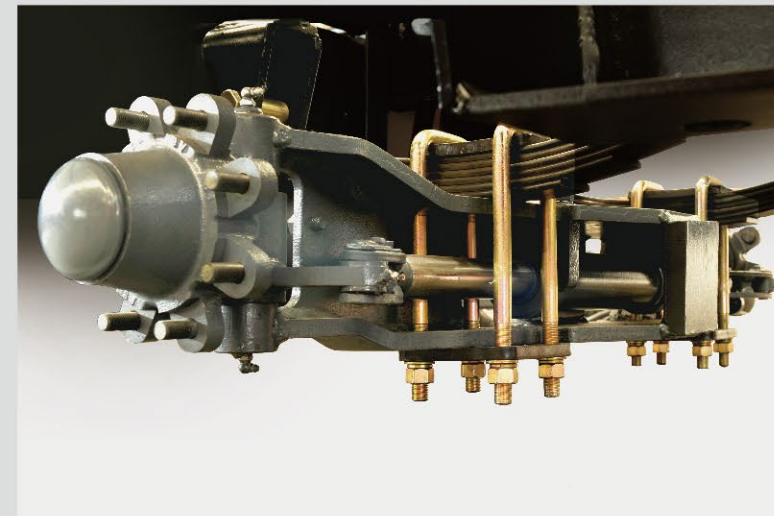


Drive system

- Special drive axle for AC type electric tractor is assembled to ensure low noise, large speed ratio, no pollution, stable travelling and good sealing condition. With large underclearance, good passing ability is ensured.

Electric system

- The most advanced imported AC type chopper, CAN bus communication and closed-loop control mode offer the truck high efficiency, low heat, high safety, simple drive electric circuit, high chopper frequency. And the stable system current is ensured, the heat generated by motor and battery is reduced and reliability is greatly improved.
- Working hour, battery electric quantity, travelling speed and fault code are shown through excellent meters.



Superior intellectualized design

- Superior intellectualized designs not only ensure operator and truck safety but also improve working efficiency, reduce energy consumption.

Steering system

- With fully hydraulic powered horizontal cylinder steering axle, the steering is flexible and easy. The steering system has high efficiency, easy operation and long service life.

Powered brake system

- Fully hydraulic powered brake technology offers easy and reliable brake.

Operating system

- Proper angle and position of braking pedal and acceleration pedal and slight pedal force fully satisfy ergonomic requirements.
- Adjustable steering wheel fits different operator's size.
- With good brake effect in cold condition and enough brake force, national mandatory performance standards in service brake and parking brake are satisfied.
- With inching button, safe and precise connection between the tractor and trailer is ensured through inching forward or backward.

